

LiDARit NAV BOX

Plug-Mapping-Sync-Deliverables



MAPPING THE WORLD

LiDARit NavBox is a powerful system that makes the majority of lasers on the market turn into a complete accuracy mapping solution.

ADJUSTABLE TO YOUR NEEDS

- ✦ Fast and easy adjust of most of the laser in the market.
- ✦ The navigation system allows to generate high levels of precision in any laser.
- ✦ Automatic boresight calibration
- ✦ GNSS/INS Solution included (GPS Antenna is included too)

POWERFUL ENTERPRISE SOLUTIONS FROM LIDARIT

- ✦ LiDARit Manager included: process data in record time - saving time and money
- ✦ Annual maintenance program
- ✦ Hot swap available when repairs needed
- ✦ Enterprise warranty options with 1 or 2 crashes repaired or replaced annually

Our systems work on projects of:

Agriculture

Forestry

Mining

Roads

Power lines

Survey

+1 (800) 420-5001

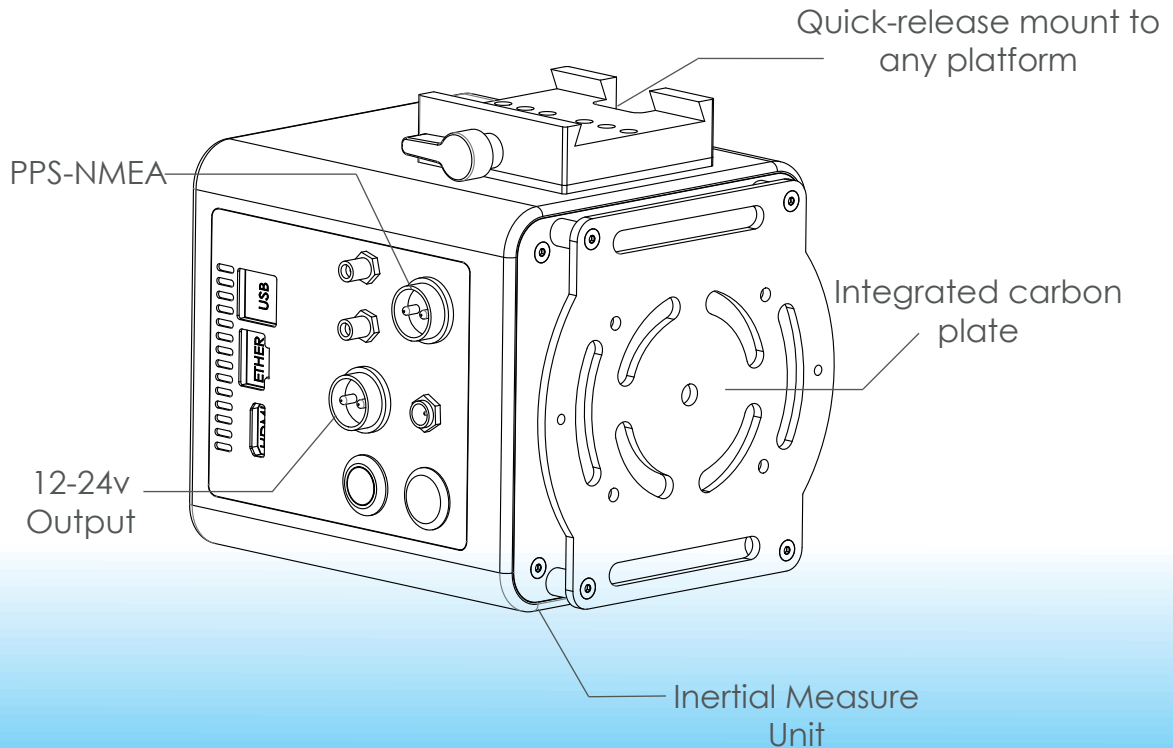
LiDARit.com

Mechanical/ Electrical/ Operational

Voltage main port: 19.5V
Voltage secondary port: 15-24V
Weight (with photogrammetry tool): 1400gr
Power Consumption: among 30 and 70W

Navigation system

Constellation support: GPS, GLONASS, BEIDOU, GALILEO
Support Alignment: Static, Kinematic, dual antenna
Accuracy Position: 1cm + 1ppm RMS horizontal
Heading RMSE: 0,016°
Position accuracy: ± 1cm
Roll and pitch accuracy: 0,003°
Data rate: 200 Hz



COMPATIBLE WITH THE MOST POPULAR LASER BRANDS

Velodyne® LiDAR



RIEGL®

QUANERGY



HESAI

robosense

LiDAR

LIDARit Manager Processing APP

Complexity processing level:	2 clicks
Time to get final deliverables:	Three days*
Completely confidential:	Highest level of security

*For 50ha projects.



+1 (800) 420-5001

LIDARit.com